



Anycubic Vyper High Quality 3D Printer

[Read More](#)

SKU: 3DWH2OEQCD9H4

Price: 4,790.00 DH

Stock: instock

Categories: [FDM](#), [3D Printers](#)

Tags: [3dprinter](#), [fdm](#)

Product Description

Product Description

Anycubic Vyper Auto-leveling 3D printer

The call of the times and the product of technology



Anycubic Vyper--Equipped with a new 32-bit motherboard and a high-performance Cortex -M3 architecture main control chip, Vyper features faster computing speed and smoother system. The integration of TMC2209 silent driver makes the motherboard have both silent printing and precise voltage output control, which ensures a more accurate and silent printing.



Auto Leveling

Realizing one-touch leveling and printing



Fast Assembly

Integrated structure



Large-size Touch Screen

New UI, Easy to operate.



Stepper Drivers

Silent operation

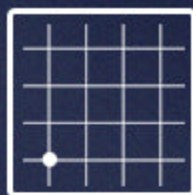


Technical Specifications

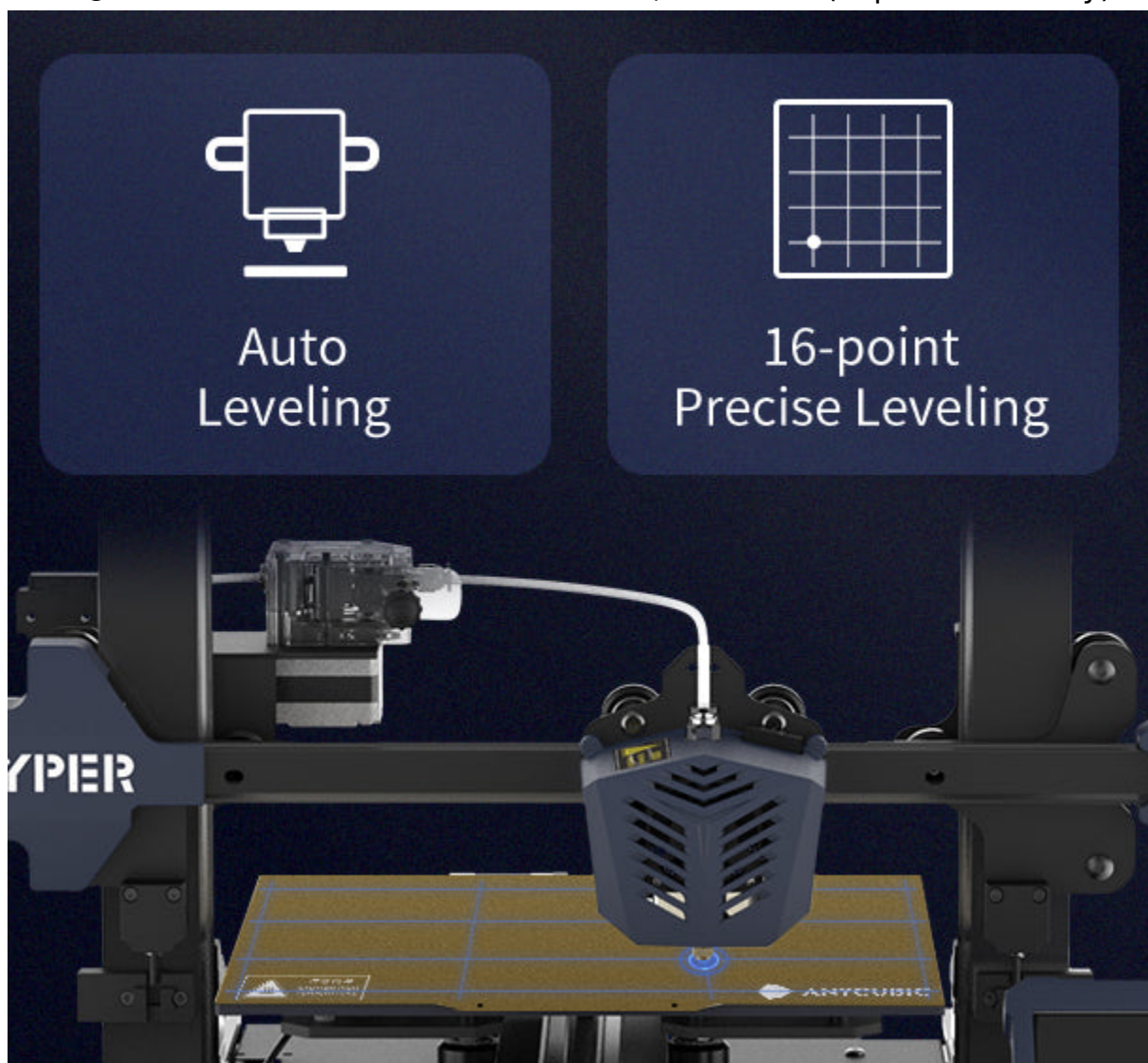
- Printing Technology: FDM (Fused Deposition Modeling)
- Build Volume: 245mm(L)×245(W)×260mm(H)
- Print resolution : ± 0.1 mm
- Positioning accuracy: X/Y 0.0125mm; Z 0.002mm
- Extruder number: Single; Nozzle diameter: 0.4 mm
- Print Speed: 180mm/s (recommended 80-100mm/s)
- Support filaments: PLA, TPU, ABS, PETG, Wood
- Ambient Operating Temperature: 8°C - 40°C
- Operational Nozzle Temperature: max $\leq 260^{\circ}\text{C}$
- Operational Hot Bed Temperature: max $\leq 110^{\circ}\text{C}$
- Slicing Software: Cura; Output Formats: GCode
- Input Formats: .STL, .OBJ, .AMF
- Connection mode: Trans-flash Card; USB cable(expert users only)

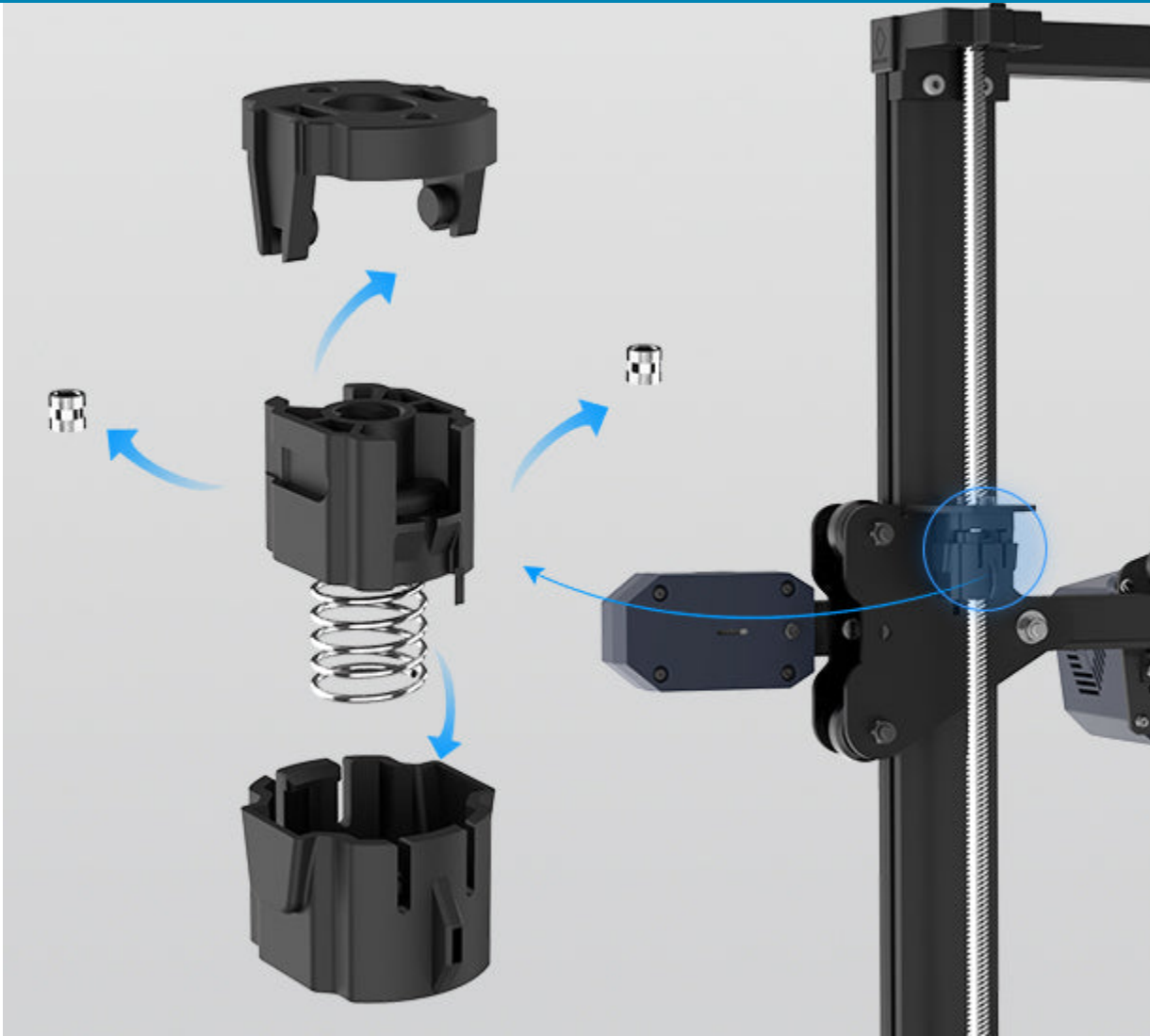


Auto
Leveling



16-point
Precise Leveling





atically adjust the

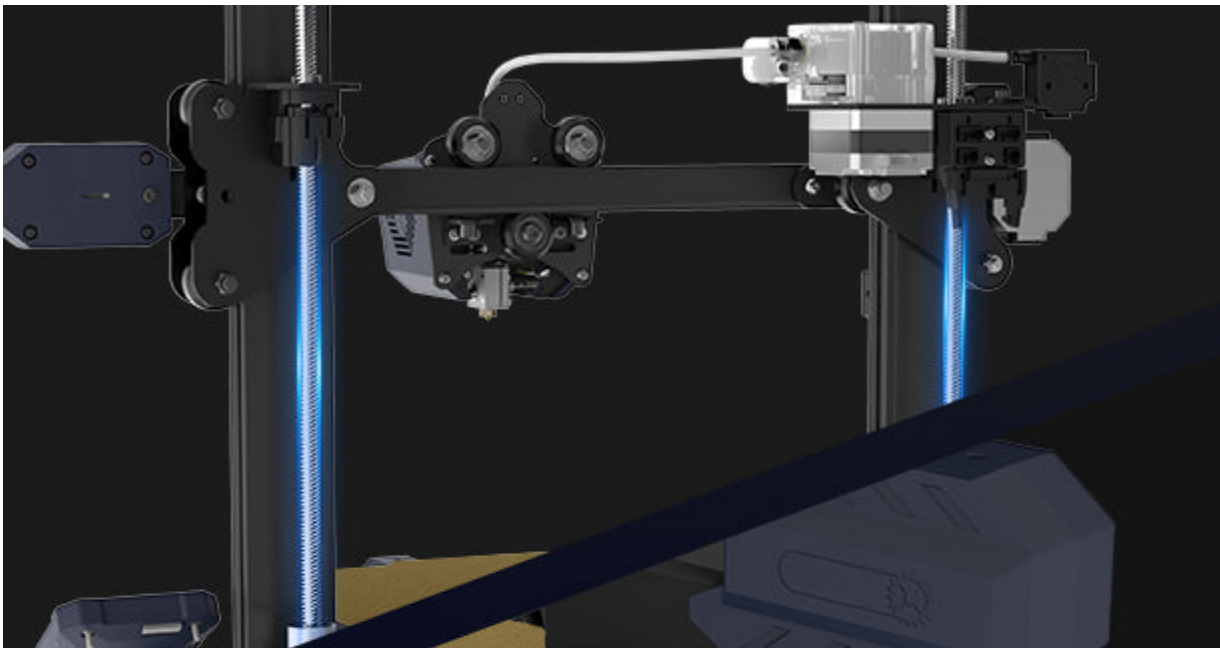
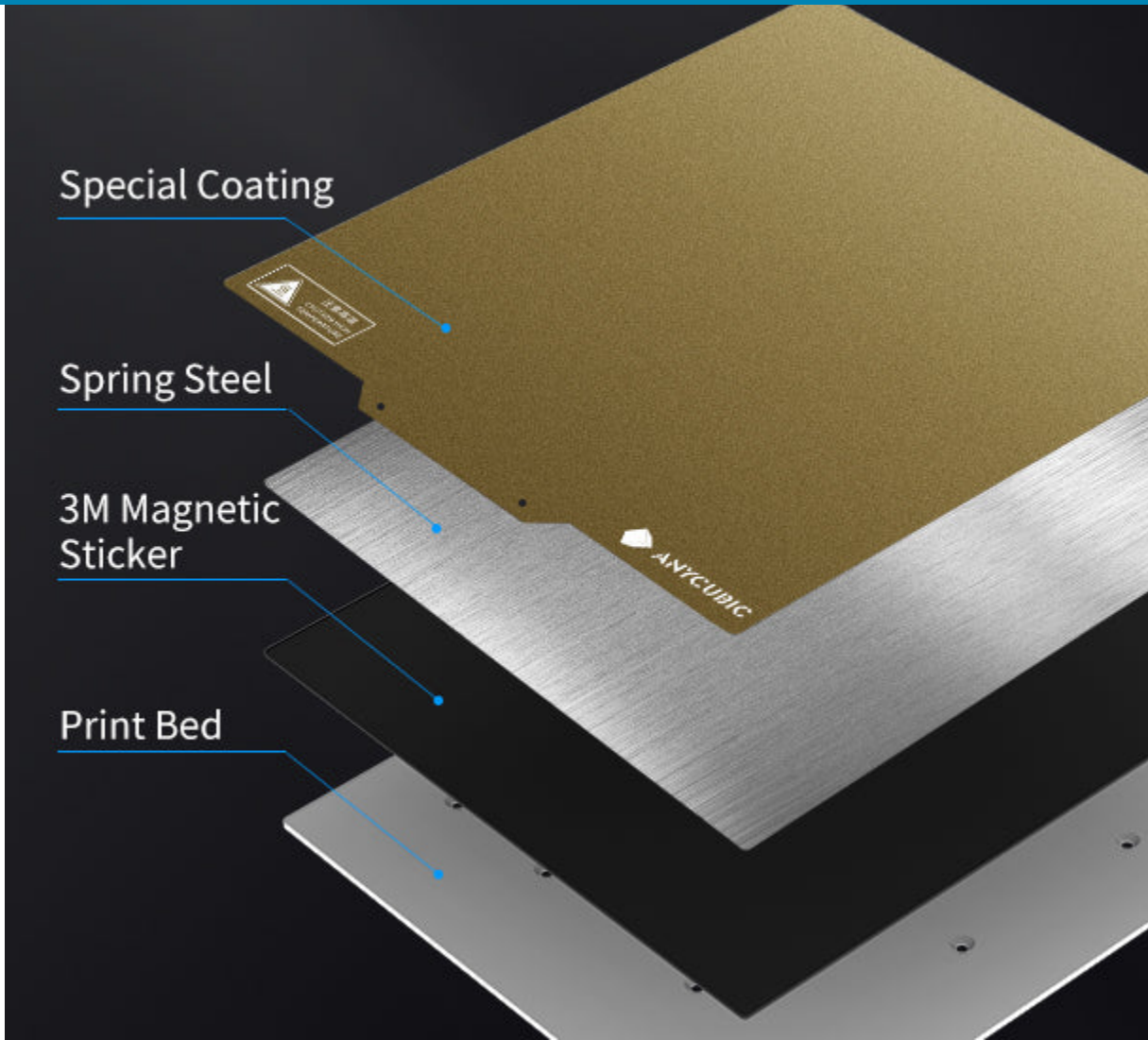
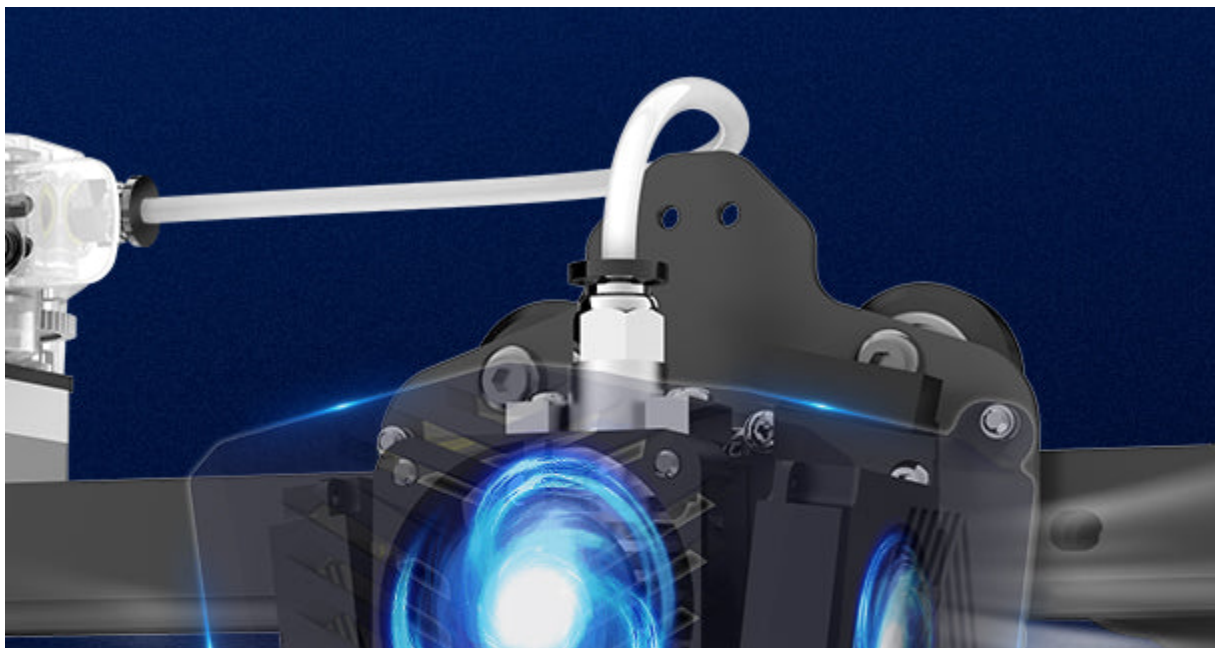


table operation and

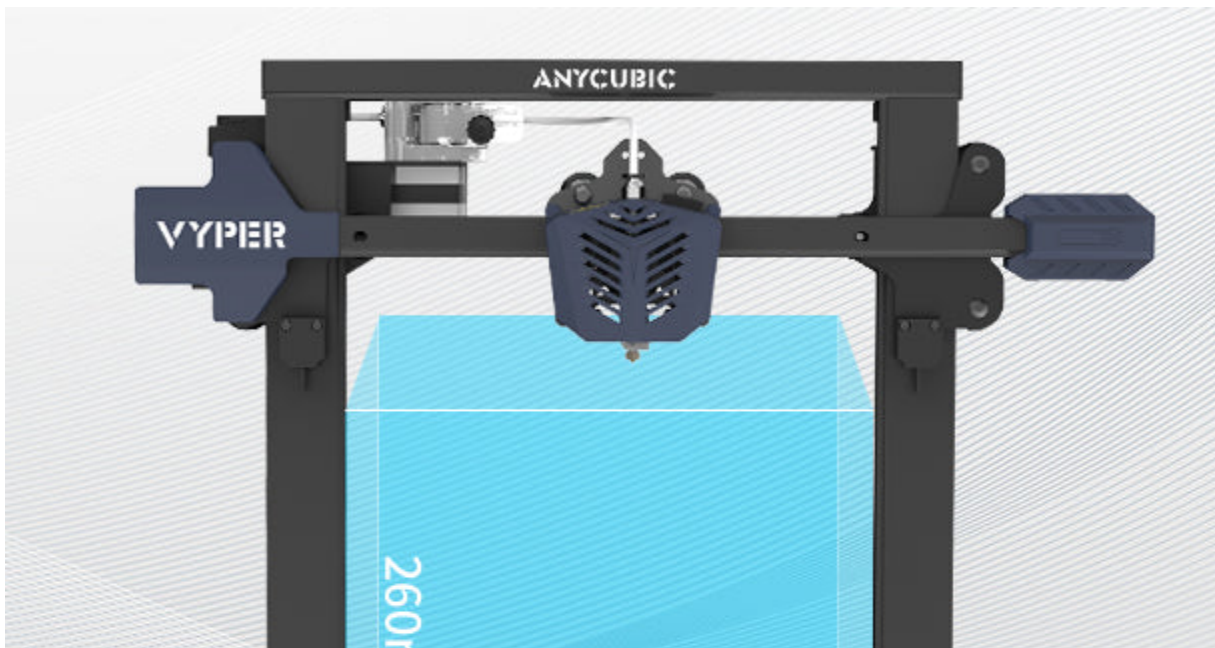


ed to make Z-axis





h, cools down



and is compatible



creative needs.



well as English and

A brand-new core

M3 chip; High-speed computing; Silent printing; 32-bit main frequency: 72M; 8-bit main frequency: 16M.

Parts List



Display Screen



Filament



Filament-holder



Nozzle



Power cord



Screw(M5)-*14 3pcs



Screw(M5)-*45 4pcs



SD Card



Service Card



Tool set



USB Cable



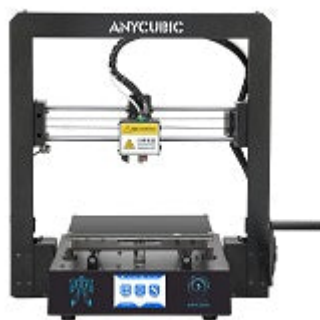
SD Card-Reader



User Manual



[i3 Mega](#)



[i3 Mega S](#)



[4Max Pro](#)

Printing Technology	FDM (Fused Deposition Modeling)	FDM (Fused Deposition Modeling)	FDM (Fused Deposition Modeling)
Build Area	8.27"x8.27"x8.07" (210x210x205mm)	8.27"x8.27"x8.07" (210x210x205mm)	10.63"x8.07"x8.07" (270x205x205mm)
Print Materials	PLA, ABS, HIPS, PETG, Wood	PLA, ABS, HIPS, PETG, Wood and TPU	PLA, ABS, HIPS, PETG, Wood and TPU
Titan Extruder & Suspended Filament Rack	X	✓	✓



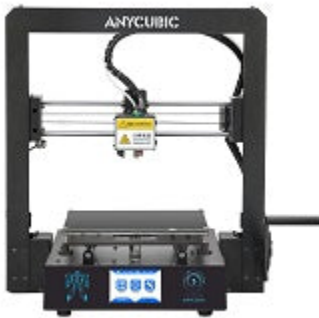
[i3 Mega](#)

FDM (Fused Deposition Modeling)

Build Area: 210x210x205mm

Filament: PLA, ABS, HIPS, PETG, Wood

Mega Extruder None Suspended Filament Rack



[i3 Mega S](#)

FDM (Fused Deposition Modeling)

Build Area: 210x210x205mm

Filament: PLA, ABS, HIPS, PETG, Wood and TPU

Titan Extruder Suspended Filament Rack



[4Max Pro](#)

FDM (Fused Deposition Modeling)

Build Area: 270x205x205mm

Filament: PLA, ABS, HIPS, PETG, Wood and TPU
Titan Extruder Suspended Filament Rack

//

Anycubic Care



Firmware

[Vyper 2.4.5](#) [Vyper Main Board 2.4.5](#)



Driver

[CH341](#)



Slicer

[Cura](#)



Test model

[Test model 1](#)



[Manual](#)

please click on it to download.



Service

We offer excellent after-sales service. [Contact us](#) or [Request after-sales service](#).

```
.swiper-wrapper { display: contents; } .swiper-wrapper li { text-align: center; width: 100%  
!important; } } -->
```
