

Volcano E3D Nozzle



[Read More](#)

SKU: 3DWT1SAM8SOSR

Price:

Stock: instock

Categories: [Spare Parts](#)

Product Description

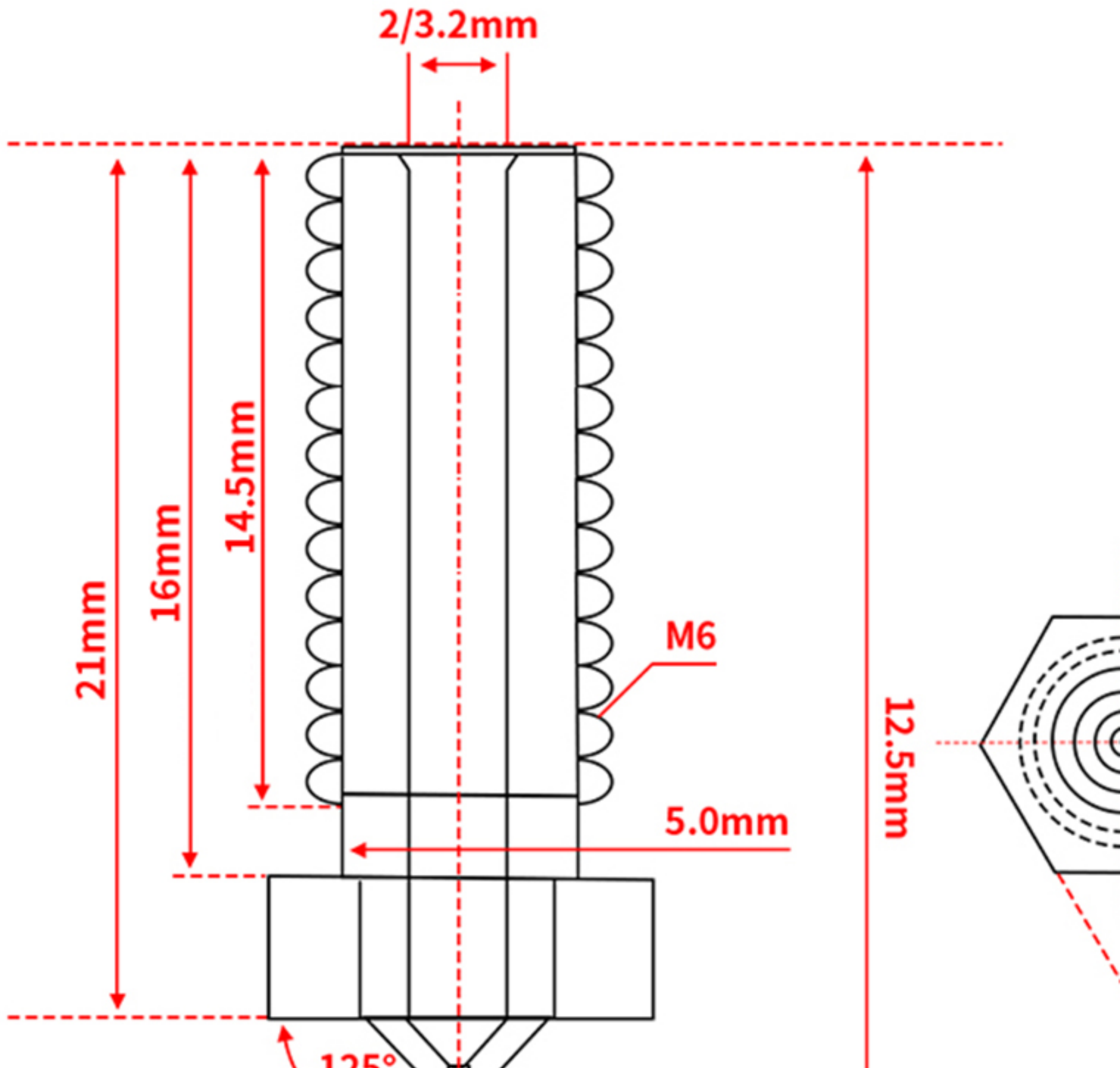


BRASS VOLCANO NOZZLE

Anti-corrosion/wear resistance/high hardness/
selected materials



PRODUCT INFORMATION



01

SMOOTH APPEARANCE WITH WORDS

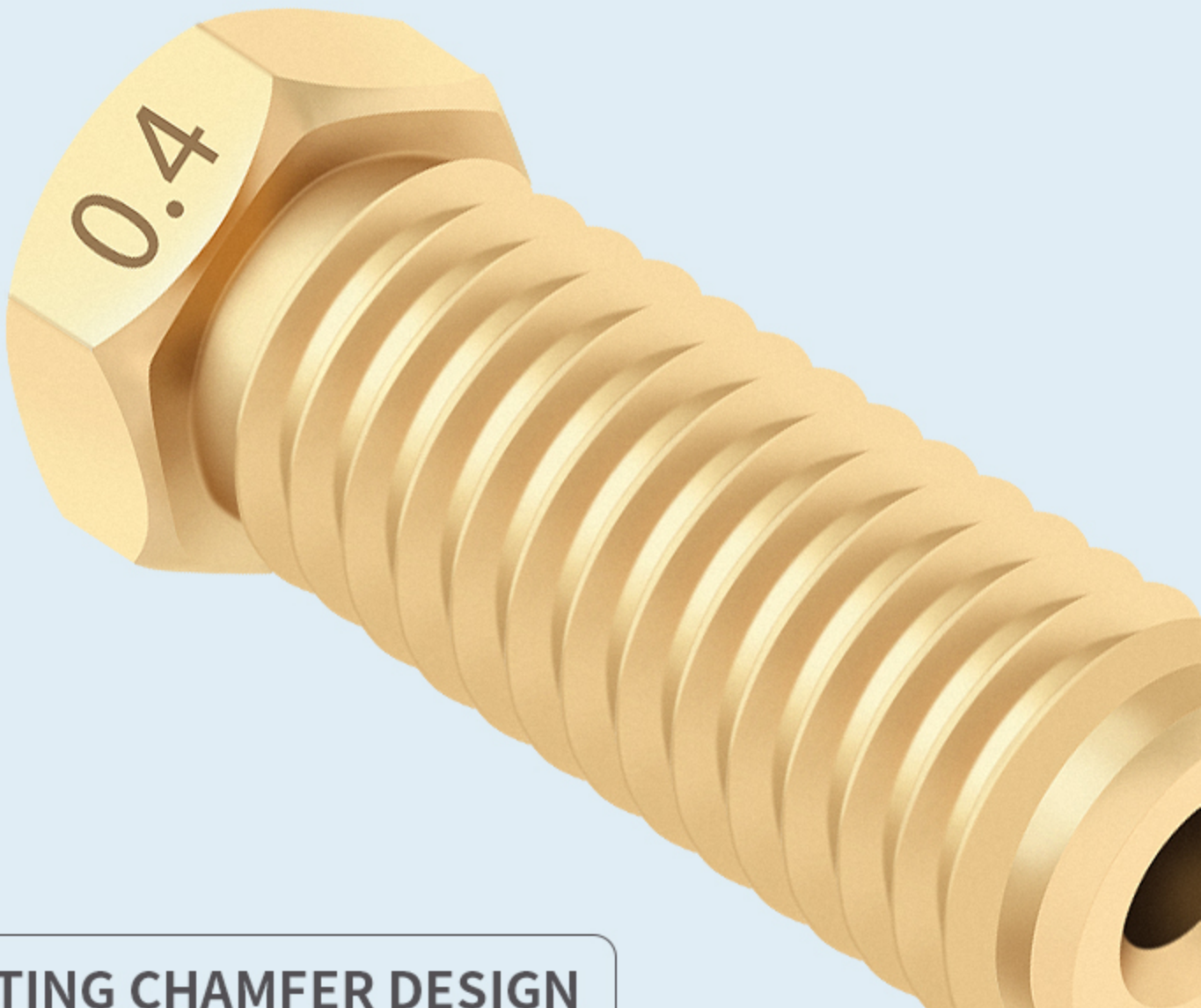
Smooth, shiny, burr-free, clear lettering, quality in



02

SMOOTH INNER WALL

The inner wall is smooth without burrs, the viscosity is small, and the silk is smoother

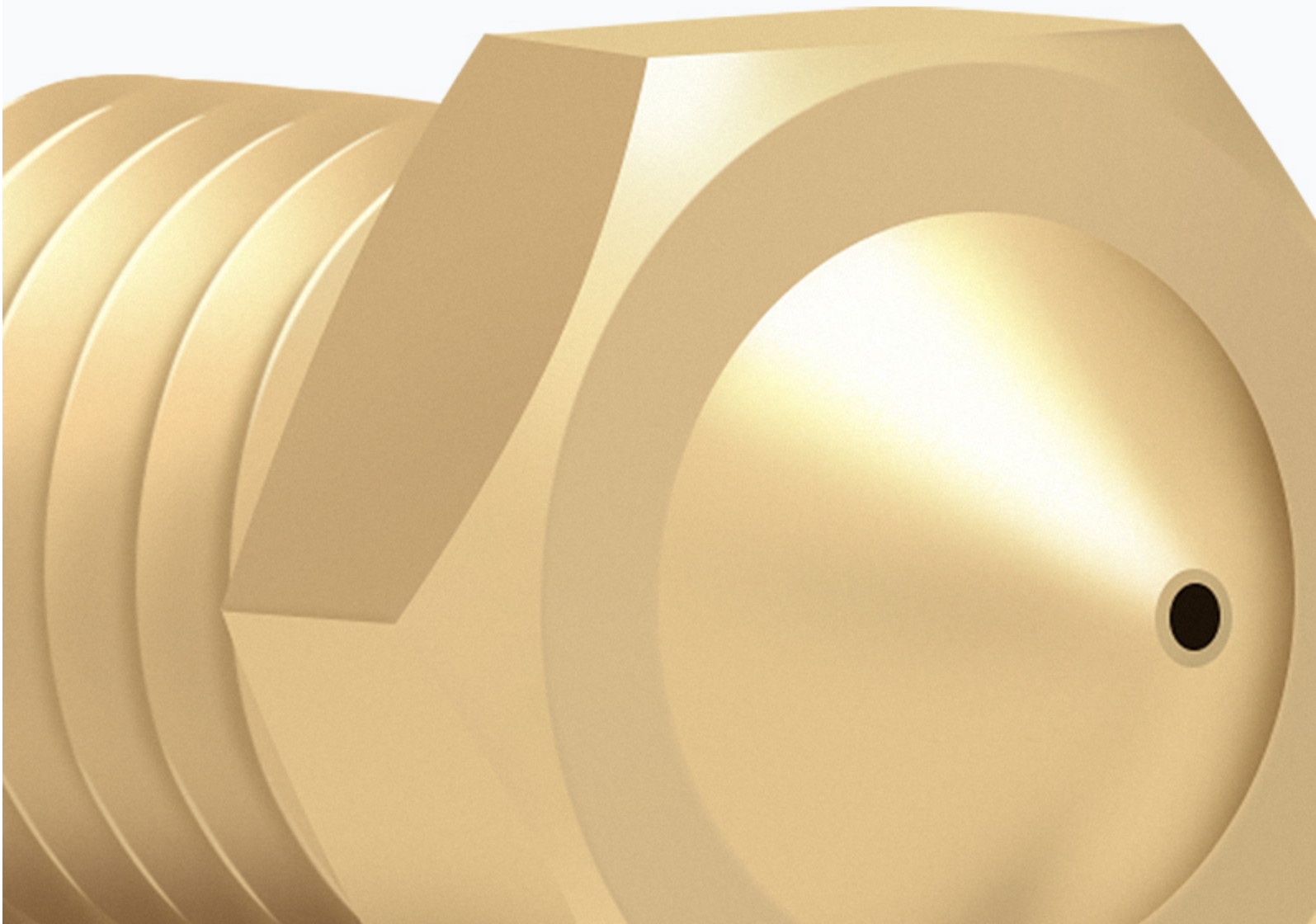


CUTTING CHAMFER DESIGN

03

FITTING TIGHTLY

The contact surface is flat to solve the problem of filament
effectively prevent the print head from leakage



PRODUCTS SHOW

