

CREALITY

Creality CR-6 MAX 3D Printer

[Read More](#)

SKU: 3DW8TDSBU9V3L

Price: 11,090.00 DH

Stock: outofstock

Categories: [FDM](#), [3D Printers](#)

Tags: [3d](#), [3d print](#), [3dprinter](#), [fdm](#), [Filament](#), [print](#)



Product Description

Creality 3D Printer CR-6 MAX HD Touch LCD Screen Dual Y Axis Silent Board Glass Bed Large Print Size 400x400x400mm

Product parameter: Printing Size: 400x400x400mm; Machine size : 725x640x691mm File Transfer: USB/Memory card Layer Thickness: 0.1-0.4mm Print Resolution: ± 0.1 mm Nozzle Temperature: $\leq 260^{\circ}\text{C}$ Nozzle Diameter: 0.4mm as standard Hotbed Temperature: $\leq 90^{\circ}\text{C}$ Rated Power: 500W; Large Print size 400x400x400mm like as the CR-10S4; Comes with the Auto Leveling, Silent and High print precision. Glass bed and Touch Screen, Integrated appearance.

CREALITY CR-6 Max Printer Size 400*400*400MM

Maximized Print Volume: 400*400*400MM, Enormous space for your creativeness.

- Super Easy Assembly: only put a few parts together and good to go, start printing straight OUT OF THE BOX.

- Automatic Leveling System : Force based sensor attached at specific points and strain sensor on nozzle set your free from manual leveling.

-Golden Triangle Frame: Double supporting rods added to reduce vibration during printing, ensuring printing precision especially for large printer. - A Quiet Printer: 32-bit silent motherboard, TMC-2209 Motor driver, and 24V 350W MeanWell power supply enable the CR-6 SE to heat up quickly and reduce noise consistently. - High Precision Nozzle Kit: Simplicity in nozzle maintenance. You can customize it. From the heat block to the nozzle tip, among other parts, this is a Modular 3D Printer that's easy to keep! - Dependable Extruder: Extruder redesigned extrusion mechanism, realize smoother extrusion and an easier filament feed.

Ultimately generate faster, quieter, and smoother prints. - Great User Experience: 4.3" HD LCD Touch Screen with intuitive UX UI, Photoelectric Filament Sensor, and Resume printing function, More Practical Add-ons: Flexible hotbed fixator, foldable filament holder, stepper motor cover, tool boxes...All you need is within reach. -More-Compact CR-6 SE is designed with a wider foundation and equipped with dual Z-axes matched with an adjustable timing belt that translates into reduced unwanted motion and improved refined results.

CR-6 Max

Intelligent Technology Meets Your Infinite Creativity

Large print size | High print precision
Smart auto-leveling



Multiple Features Give You An Extraordinary Experience



Large print size



Double pull rod



Dual Y-axis



Auto-leveling



Silent motherboard



Precise nozzle kit

Larger Print Size Makes You Enjoy the DIY Fun

With the print size 400*400*400,
CR-6 Max realizes your unlimited creativity and
satisfies you with more choices



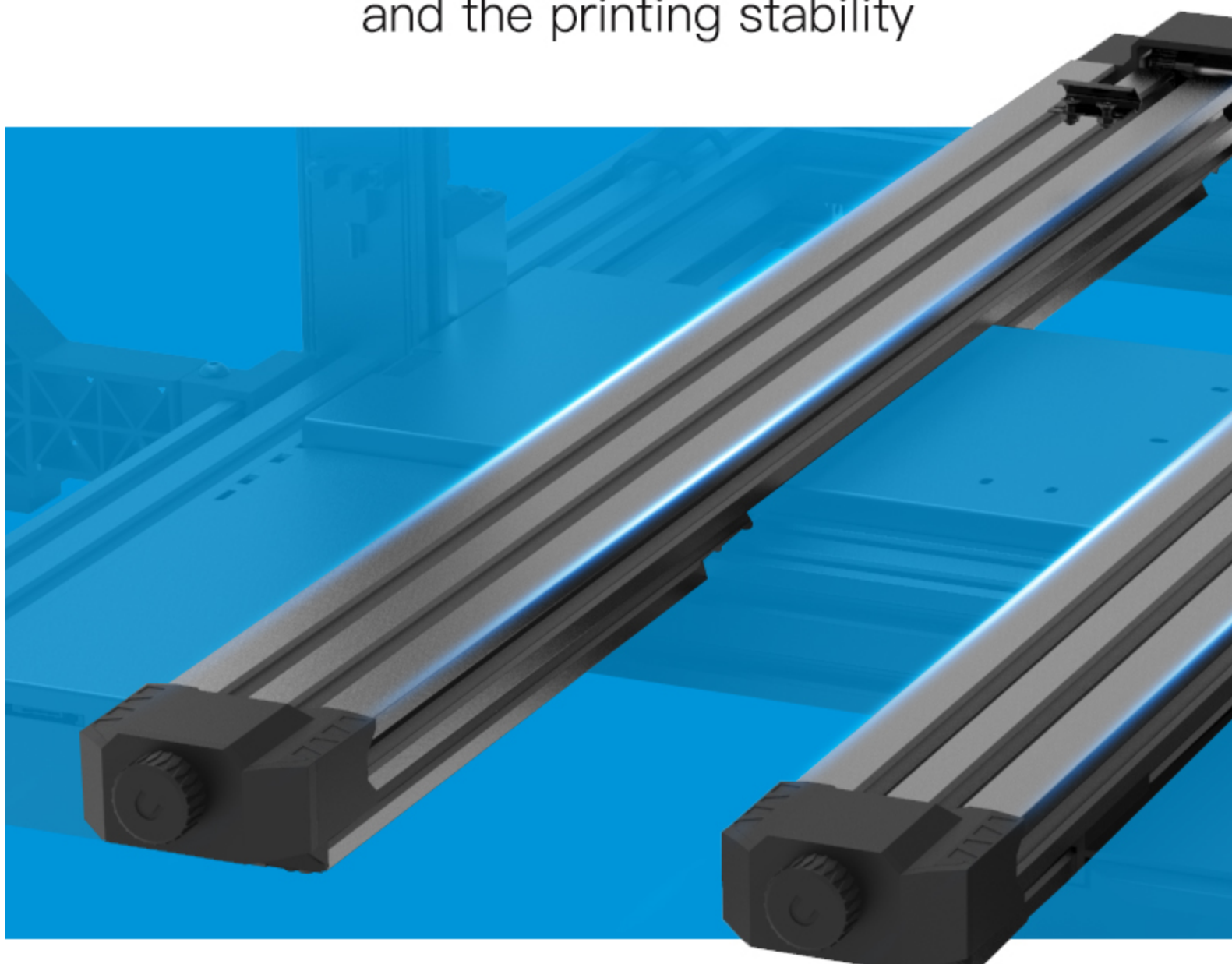
Double Pull Rod + Dual Z-axis

Equipped with a double-pull rod, dual Z-axis and timing belt, the triangular structure greatly promotes the printing stability



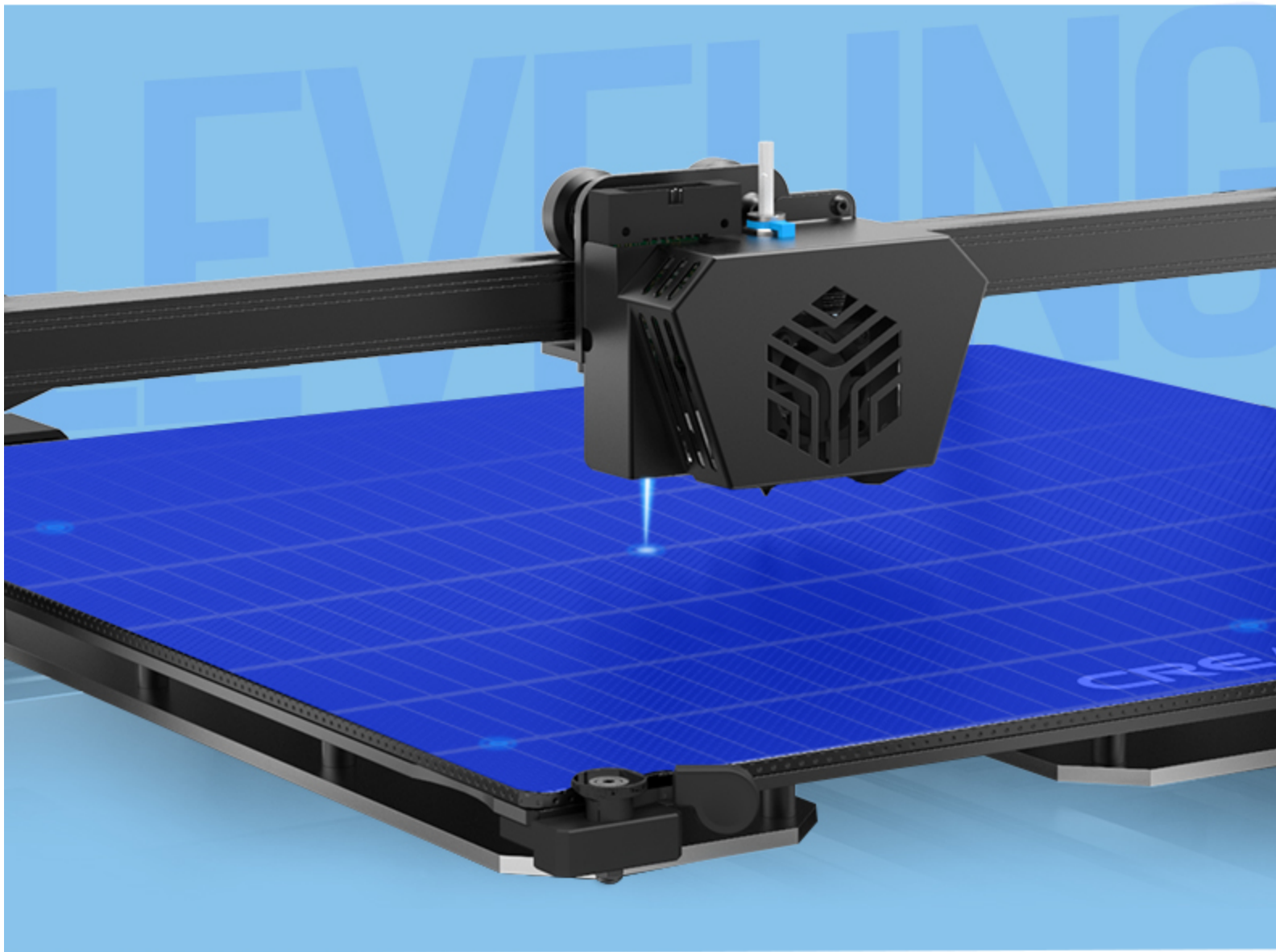
Dual Y-axis Design Promotes the Stable Printing

The dual Y-axis and double synchronous belt greatly ensure the printing accuracy and the printing stability



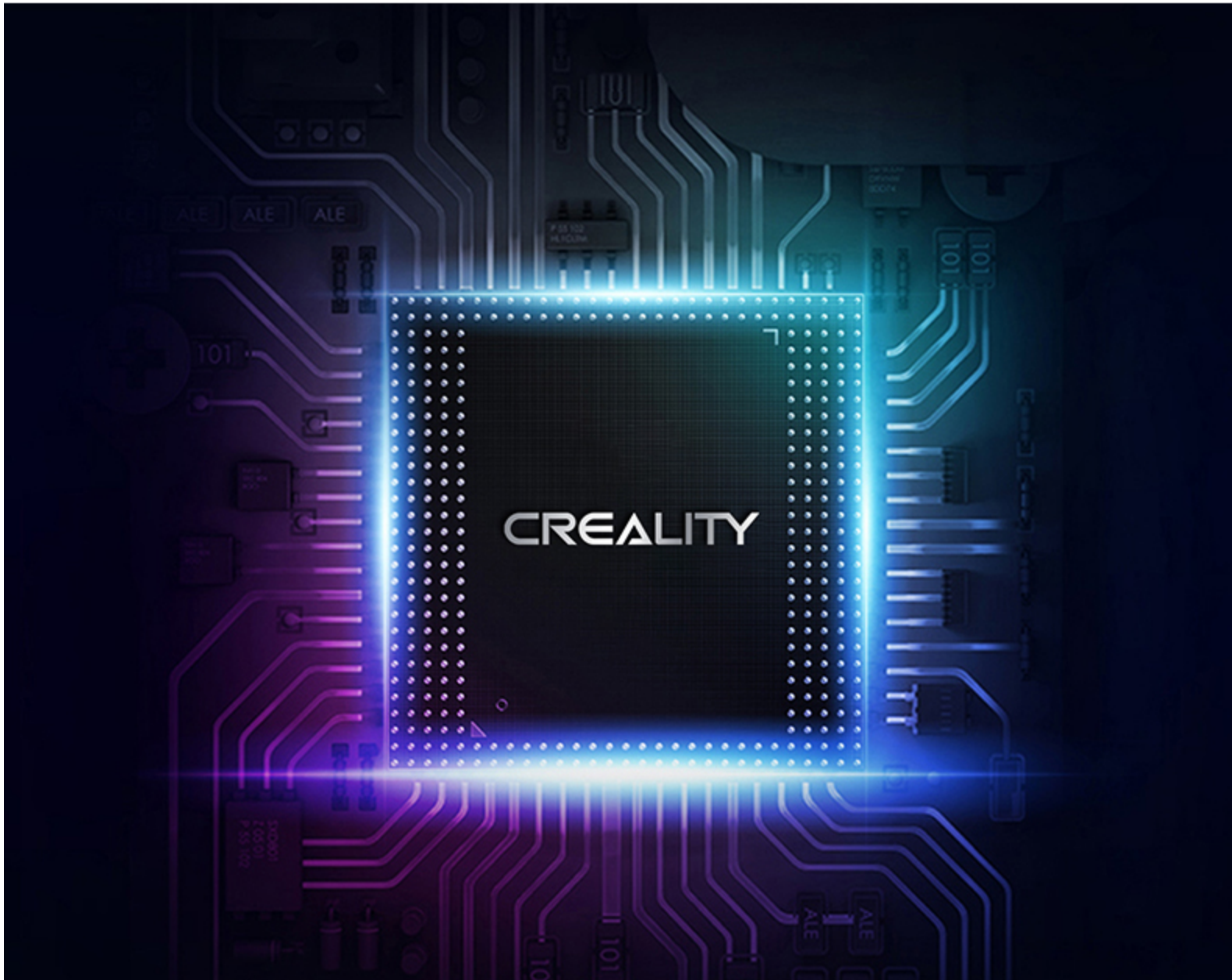
Intelligent Auto-leveling

The brand new and self-developed leveling has the precise sense, more convenient and efficient



Excellent Silent Motherboard

The upgraded silent motherboard with excellent performance reduces the print noise



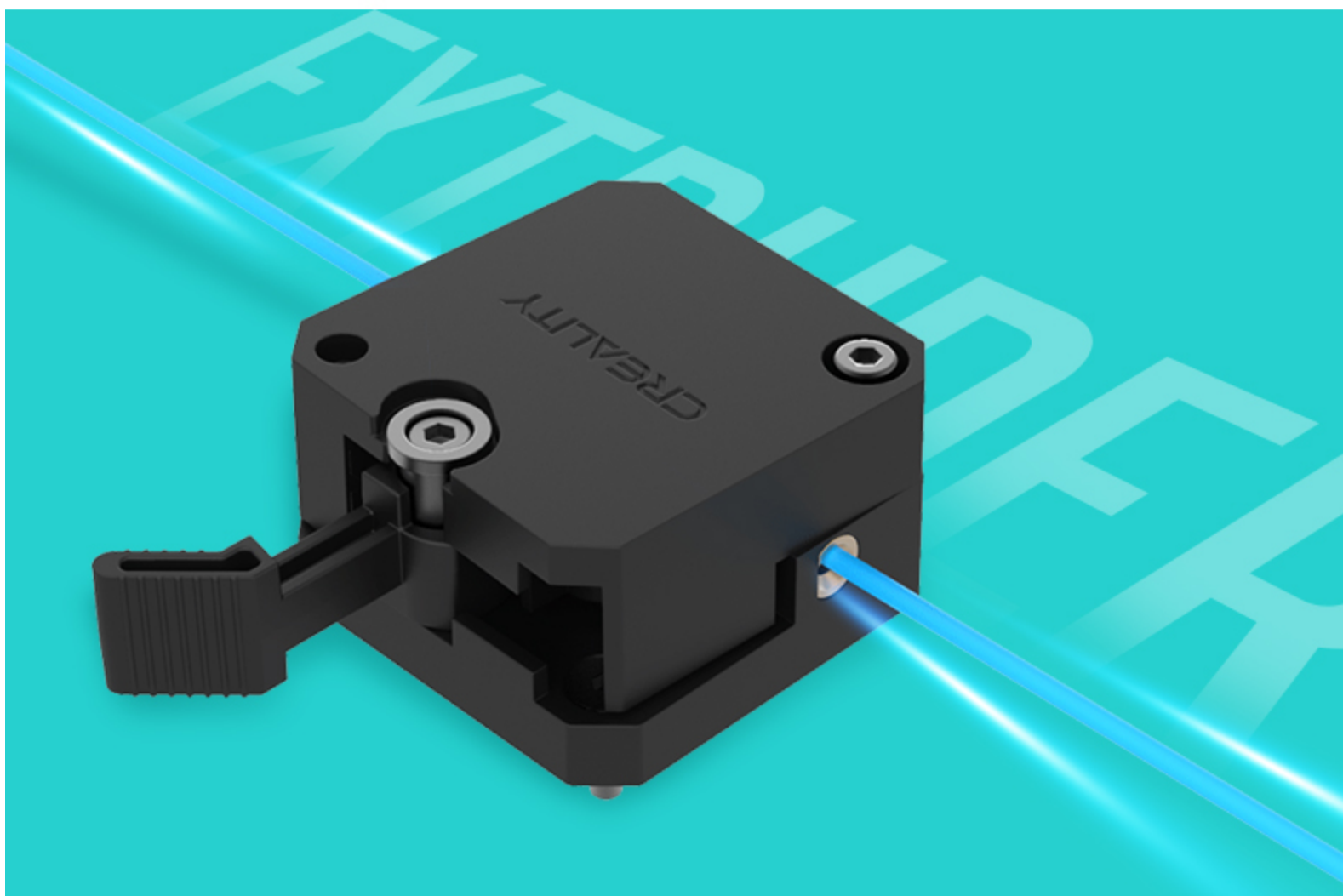
High Precision Nozzle Kit

Brand new design and module nozzle kit is feature of the great flow-path and even heat dissipation, which makes the printing more precise



Self-developed Extrusion Mechanism

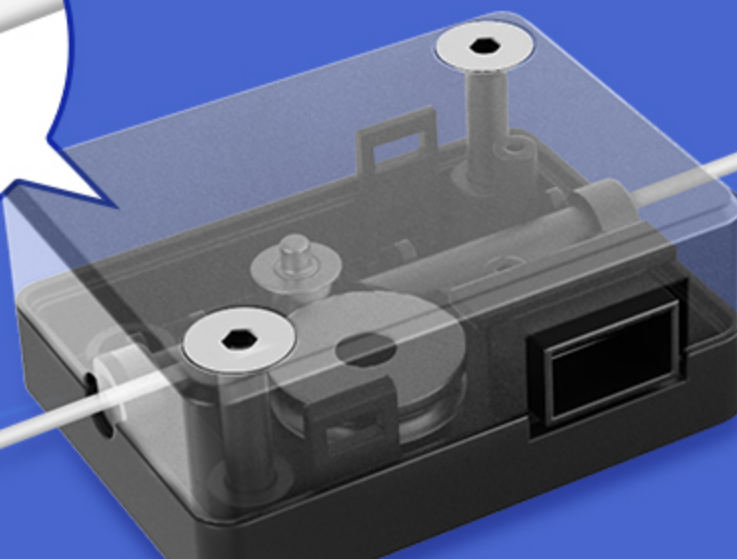
Brand new extrusion mechanism makes the filament feed-in much easier. The smooth feeding ensures the smooth printing



The Quality Is Always the First

Filament Sensor + Resume Printing

Avoid the printing failure owing to the filament breakage and power outage, save time and energy



HD Color Touchscreen

4.3inch HD idisplay with easy operation gives you a better experience



Carborundum Glass Platform

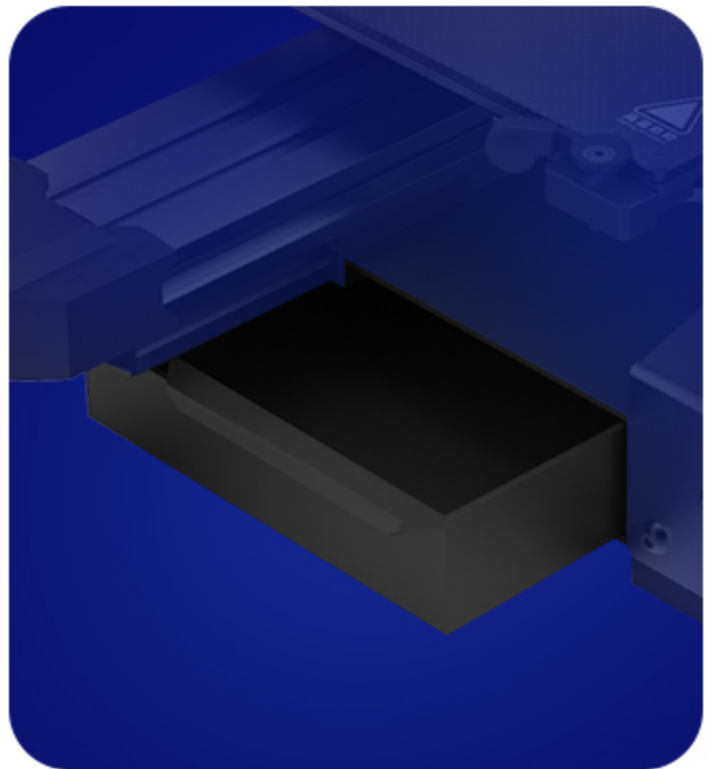
Fast to heat, easy to remove the model
without warping



Optimized Details



Hotbed fixator



Tool box



Product Parameters

Molding technology: FDM

Print size: 400*400*400mm

Machine size: 725*640*691mm

Printing resolution: ± 0.1 mm

Layer thickness: 0.1–0.4mm

Number of nozzles: 1

Nozzle diameter: 0.4mm as standard

Nozzle temperature: ≤ 260 °C

Hotbed temperature: ≤ 90 °C

Rated power: 500W

Display screen: 4.3inch color touchscreen

Power supply: Input 100–240V; output 24V

File transfer: USB/Memory card

Product Display



COMPANY INTRODUCTION

Shenzhen Creality 3D Technology Co., Ltd.

Creality 3D is an internationally renowned 3D printer manufacturer, a national high-tech enterprise, and a pioneer in the R&D and mass production of FDM and resin 3D printers in China. Our company has always been committed to applying 3D printers into market, delivering efficient and cost-effective integrated 3D printing solutions for individuals, families, schools and enterprises.

Headquartered in Shenzhen, Creality 3D has branches in Beijing, Shanghai and Wuhan, and cooperates with colleges and universities to build an industry-university-research teaching and internship system. We have a complete set of R&D, manufacturing and after-sales service system and strong technological strength. With a total